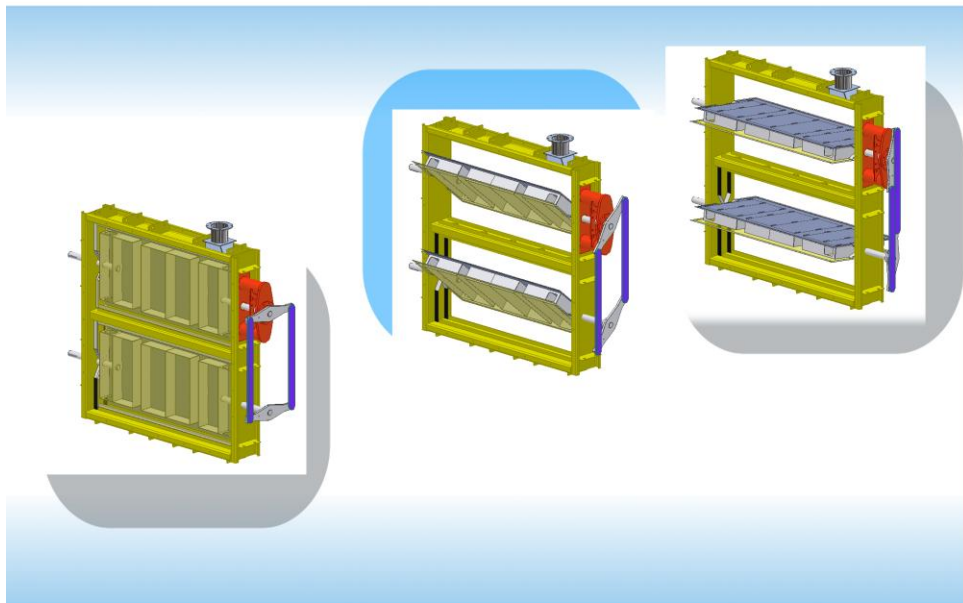




## FGD Damper

挡板门

### Advantages and Benefits



- 100% Seal = 0 Leakage;
- High temperature operating up to 600 °C;
- Developed for a corrosive environment;
- High efficiency achieved with advanced control mechanisms;
- Best available materials used for the best performance;
- Efficient performance achieved with APA's proprietary technology.

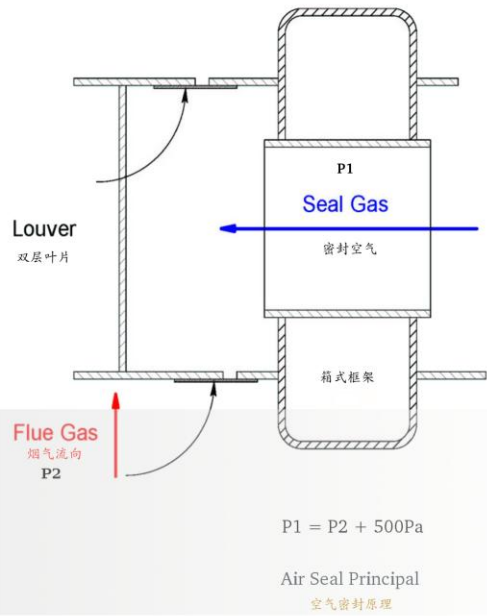
#### 技术关键及可靠性

- 100% 密封 = 0 泄露；
- 适用温度范围可高达 600 度；
- 针对高腐蚀环境专门研制；
- 最先进的控制设备确保高效运作；
- 使用最好的合金材料达到最好的产品性能；
- APA 不断开发的新技术，确保产品的先进性。

APA Engineering  
T: 61-2-82688686  
F: 61-2-82688687  
W: [www.apagroup.biz](http://www.apagroup.biz)  
E: [info@apagroup.biz](mailto:info@apagroup.biz)

In order to guarantee 100% seal (0 leakage), APA FGD dampers have been applied its air-seal principal together with its meachanical seal mechanism.

采用机械密封和空气密封以确保 100% 密封 (0泄露)。



### APA Typical Dampers / APA 制造的典型挡板门



An unique FGD Louver Damper with twin blades

单轴双叶片百叶窗式脱硫挡板门





An unique round FGD Damper with Multi-louvers

圆形单轴双叶片脱硫挡板门。

A typical FGD Guillotine Damper

典型的脱硫闸板门



An typical FGD louver damper with single shaft

典型的空气密封单轴百叶窗式挡板门。